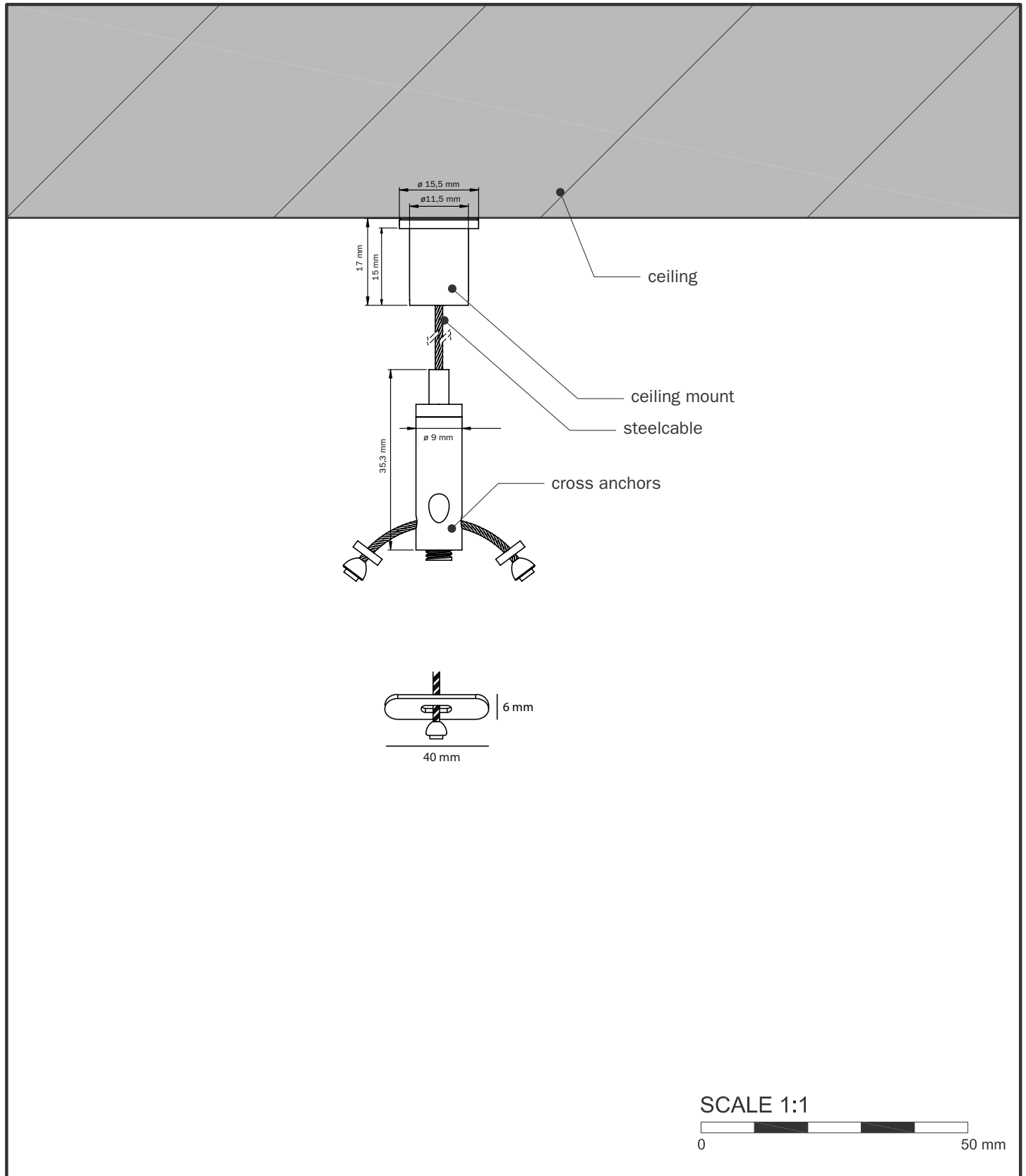


STAS suspension set with cross anchors



Features:

- For fluorescent lighting or other objects
- 2 cross anchors connected with steel cable
- Fast ceiling mount with screw
- Adjustable in height
- 1.5 mm steel cable
- 2 meter cable length
- Weight capacity: max. 25 kg



STAS supplies multifunctional picture hanging systems and accessories for every wall and ceiling.

For more information, visit our website www.stasgroup.com or call +31 (0)40 292 48 48