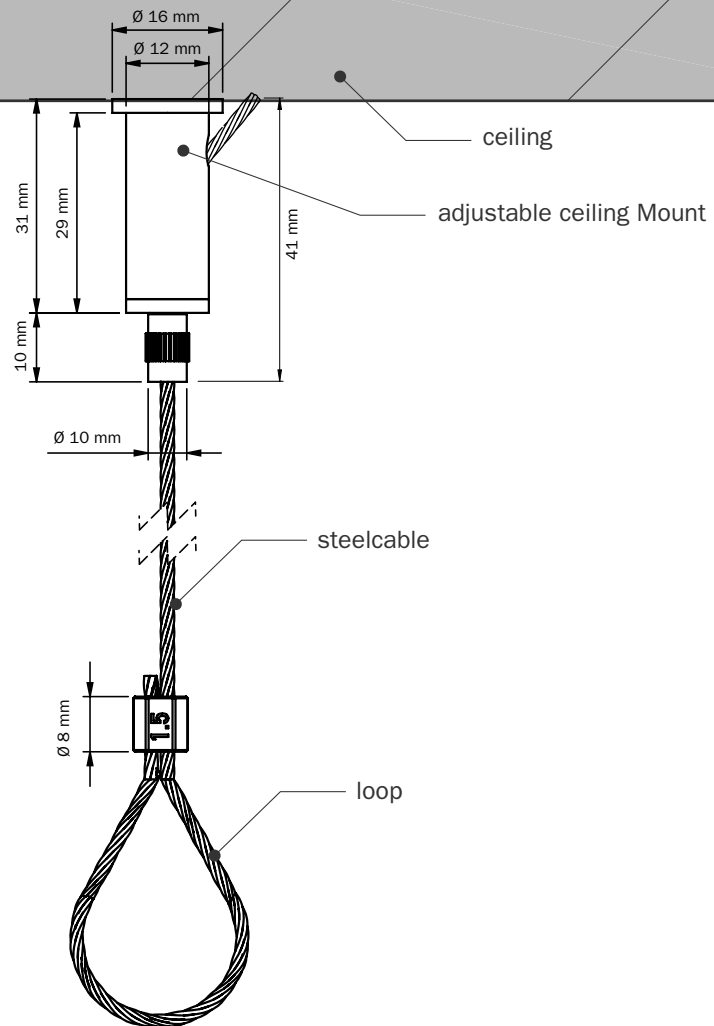


STAS suspension set with loop



SCALE 1:1



Features:

- For pipes, panels and other objects
- Fixed loop
- Adjustable quick ceiling mount with screw
- 1.5 mm steel cable
- 2 meter cable length
- Weight capacity: max. 25 kg



STAS supplies multifunctional picture hanging systems and accessories for every wall and ceiling.

For more information, visit our website www.stasgroup.com or call +31 (0)40 292 48 48