



STAS qubic (pro)

flexible in all directions

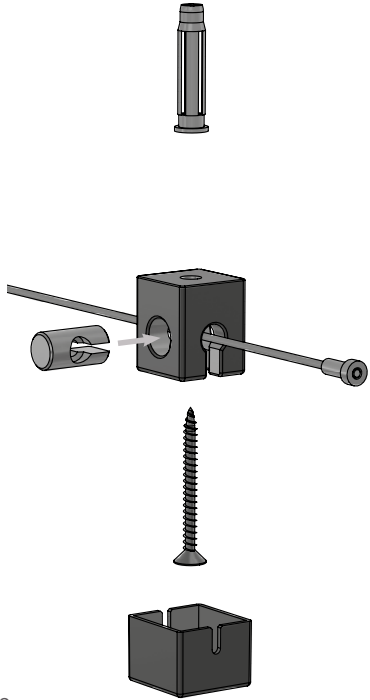
The STAS qubic is a compact and square hanging system, suitable for hard walls such as stone or concrete. The STAS qubic is suitable for one hanging point and can be easily installed in the more difficult places. Think of a stairwell, a slanted ceiling or a pillar. The STAS qubic can be mounted in many different ways and therefore the cords can also be hooked in many possible ways.

The STAS qubic pro is suitable for soft walls such as plaster and sand-lime brick. The mounting plate can be installed with 2 screws which provides extra reinforcement of the STAS qubic pro in the soft wall.

The versatility of the STAS qubic (pro) makes it an indispensable hanging system for difficult places.



STAS qubic	STAS qubic pro
<ul style="list-style-type: none"> ■ dimensions 22 x 22 x 24 mm ■ aluminium ■ alu textured ■ ceiling- and wall mounting ■ weight capacity 15 kg/m ■ 5 years warranty 	<ul style="list-style-type: none"> ■ dimensions 50 x 50 x 24 mm ■ aluminium ■ alu textured ■ ceiling- and wall mounting ■ weight capacity 20 kg/m ■ 5 years warranty



Article nr.	Description
TCS1000	qubic alu textured
TCS1010	qubic pro alu textured



RD10200 rail connector



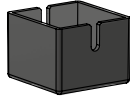
SJ30200 screw qubic



SR50700 plug



SJ30100 screw qubic pro





STAS evoluon & qubic (pro)

hooks and cords

The STAS evoluon and the STAS qubic (pro) can be used with our special hooks and cords.

Hooks



STAS smartspring



STAS zipper



STAS zipper pro

Cords and rail hooks



STAS perlon cord with glider



STAS steel cable with glider

Article nr.	Description
HA30900	smartspring
HA30501	zipper
HA30530	zipper pro
PH10110	100 cm perlon cord + glider
PH10115	150 cm perlon cord + glider
PH10120	200 cm perlon cord + glider
PH10125	250 cm perlon cord + glider
PH10130	300 cm perlon cord + glider

Article nr.	Description
PH10145	450 cm perlon cord + glider
SH10110	100 cm steel cable + glider
SH10115	150 cm steel cable + glider
SH10120	200 cm steel cable + glider
SH10125	250 cm steel cable + glider
SH10130	300 cm steel cable + glider
SH10145	450 cm steel cable + glider

STAS evoluon

For more information about the STAS evoluon, see page 19.

STAS qubic (pro)

For more information about the STAS qubic (pro), see page 55.



STAS evoluon hook + perlon cord with glider + smartspring



STAS evoluon hook + perlon cord with glider + zipper



STAS evoluon hook + steel cable with glider + zipper



STAS qubic + perlon cord with glider + smartspring



STAS qubic + perlon cord with glider + zipper



STAS qubic + steel cable with glider + zipper

Important note regarding warranty and liability

Products of STAS must be installed and used only in strict accordance with the latest version of the STAS picture hanging systems installation guide, available for download at www.stasgroup.com. It is the responsibility of the installer to select the correct fasteners for the particular installation. Improper installation, misuse, misapplication or otherwise failing to completely follow seller's instructions and warnings may cause product malfunction, property damage or personal injury.

STAS products TÜV certified

STAS strives day after day for products of the highest quality. To guarantee the quality and independence of products, STAS has commissioned TÜV Netherlands for the testing of its products. TÜV Netherlands is an independent and recognized body that assesses the quality of products according to a set standard and has extensive experience in the field of product safety and product inspections. Under the direction of TÜV, a large part of our range of products has been tested for quality and correctness of the specified features. All products where the TÜV logo is shown, have actually been tested by TÜV Netherlands and approved for the capacity that is stated in the features of that product.



STAS picture hanging systems

Esp 245 | 5633 AD Eindhoven | PO box 1049 | 5602 BA Eindhoven | The Netherlands
T +31 (0)40 292 48 48 | info@stasgroup.com | www.stasgroup.com