



STAS qubic



wall mounting STAS qubic pro



ceiling mounting STAS qubic pro

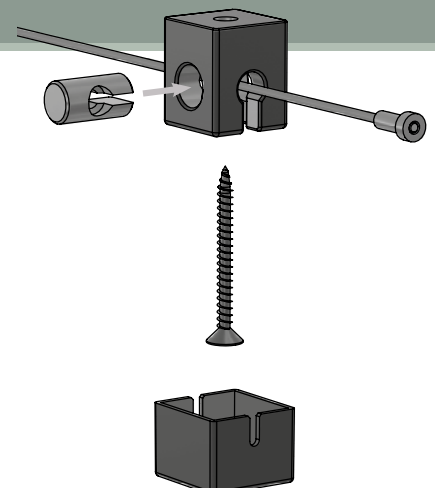
flexible in all directions

The STAS qubic is a compact and square hanging system, suitable for hard walls such as stone or concrete. Do not underestimate the STAS qubic by its size, because that is exactly what's so convenient about this hanging system.

The STAS qubic is suitable for one hanging point and can be easily installed in the more difficult places. Think of a stairwell, a slanted ceiling or a pillar. The STAS qubic can be mounted in many different ways and therefore the cords can also be hooked in many possible ways.

The versatility of the STAS qubic makes it an indispensable hanging system for difficult places with hard walls.

- dimensions 22 x 22 x 24 mm
- aluminium
- alu textured
- ceiling- and wall mounting
- weight capacity 15 kg/m
- 5 years warranty



Parts

STAS qubic
TCS1000 alu textured



STAS qubic end cap
TCS9002 black



STAS screw qubic
SJ30200



STAS plug
SR50700

STAS evoluon & qubic (pro)

hooks and cords

The STAS evoluon and the STAS qubic (pro) can be used with our special hooks and cords.

Cords



STAS perlon cord with glider

PH10110	100 cm
PH10115	150 cm
PH10120	200 cm
PH10125	250 cm
PH10130	300 cm
PH10145	450 cm



STAS steel cable with glider

SH10110	100 cm
SH10115	150 cm
SH10120	200 cm
SH10125	250 cm
SH10130	300 cm
SH10145	450 cm

Hooks



STAS smartspring
HA30900



STAS zipper
HA30501



STAS zipper pro
HA30530



STAS evoluon

For more information about the STAS evoluon, see page 16.



max.
4 kg

STAS evoluon
hook + perlon
cord with glider
+ smartspring



max.
15 kg

STAS evoluon
hook + perlon
cord with glider
+ zipper



max.
15 kg

STAS evoluon
hook + steel
cable with glider
+ zipper



max.
4 kg

STAS qubic +
perlon cord
with glider
+ smartspring



max.
15 kg

STAS qubic +
perlon cord
with glider
+ zipper



max.
20 kg

STAS qubic
+ steel cable
with glider
+ zipper

STAS qubic (pro)

For more information about the STAS qubic (pro), see page 55.

Important note regarding warranty and liability

Products of STAS must be installed and used only in strict accordance with the latest version of the STAS picture hanging systems installation guide, available for download at www.stasgroup.com. It is the responsibility of the installer to select the correct fasteners for the particular installation. Improper installation, misuse, misapplication or otherwise failing to completely follow seller's instructions and warnings may cause product malfunction, property damage or personal injury.

STAS products TÜV certified

STAS strives day after day for products of the highest quality. To guarantee the quality and independence of products, STAS has commissioned TÜV Netherlands for the testing of its products. TÜV Netherlands is an independent and recognized body that assesses the quality of products according to a set standard and has extensive experience in the field of product safety and product inspections. Under the direction of TÜV, a large part of our range of products has been tested for quality and correctness of the specified features. All products where the TÜV logo is shown, have actually been tested by TÜV Netherlands and approved for the capacity that is stated in the features of that product.



STAS picture hanging systems

28 Town Forest Rd, Unit B | Webster, MA 01570 | USA
T +(888) 312 69 71 | info@picturehangingsystems.com | www.picturehangingsystems.com